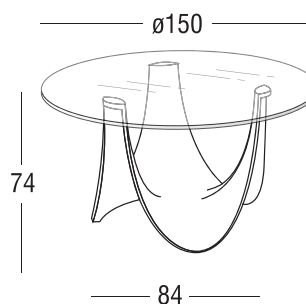


Design: Santiago Sevillano
Product: Table
Sizes: cm Ø150x74h (Ø59"x29"h)

FEATURES



Frame: Fibreglass base, painted with epoxy base and acrylic finish
Top: Transparent tempered glass with 316 steel plates
Glides: Nylon PA 6
Finishings: White, Terra



Net weight unit 123

Gross weight unit 171

Units per package 2

Packages sizes base cm 90x98x94h
top glass cm 161x161x10,5h

Packages volume m³ 1,1

FINISHINGS



UV, marine environment



White



Terra